



CONTACTLESS READERS

# WalletMate

Mobile wallet NFC Reader  
(Apple VAS & Google Smart Tap Certified)

The WalletMate Mobile wallet NFC Reader is designed to facilitate mobile NFC applications. Certified by Apple and Google VAS (value-added service) protocols, the WalletMate could bring ultimate cardless user experiences by supporting various virtual passes such as loyalty cards, tickets, and staff /student ID cards on both IOS and Android platforms. With the VAS protocol, users can enjoy an agile and convenient tap-to-go experience as the host terminal could select a specific wallet pass from the user's mobile through a unique merchant ID.

The WalletMate is developed based on 13.56MHz, it supports ISO 14443 Type A and B cards, MIFARE®, FeliCa, and ISO 18092-compliant NFC tags. It is certified by the NFC forum, making it capable of the three NFC modes, namely: card reader/writer, card emulation and peer-to-peer communication.

Compliant with both CCID and PC/SC, this plug-and-play USB NFC device allows interoperability with different devices and applications. It is thus ideal for integrating into various systems to support both physical smart cards and virtual wallet passes.



## KEY FEATURES

- ✓ **Support various type of card type**
  - ISO/IEC 18092 NFC
  - ISO 14443 Type A & B (T=CL)
  - MIFARE®
  - FeliCa
- ✓ **Apple VAS & Google Smart Tap Certified**
  - Well tested and certified by Apple and Google, work with their respective VAS (Value-added service) protocols
- ✓ **Secure**
  - Long Term Private Key (LTPK) stored inside secure element for Google Smart Tap
- ✓ **Flexible**
  - Read/write speed, LED & Buzzer can be programmable
- ✓ **Support USB Firmware Upgrade**
- ✓ **Reliable**
  - Certified for international regulations
  - Mean time between failures (MTBF) up to 500k Hours
- ✓ **Compatibility**
  - Support for all major operating systems
    - Windows®, Linux®, macOS, Android™

## Common Applications

- e-Government
- e-Banking and e-Payment
- e-Healthcare
- Transportation
- Network Security
- Access Control
- Loyalty Program
- Smart Poster/URL Marketing
- P2P Communication



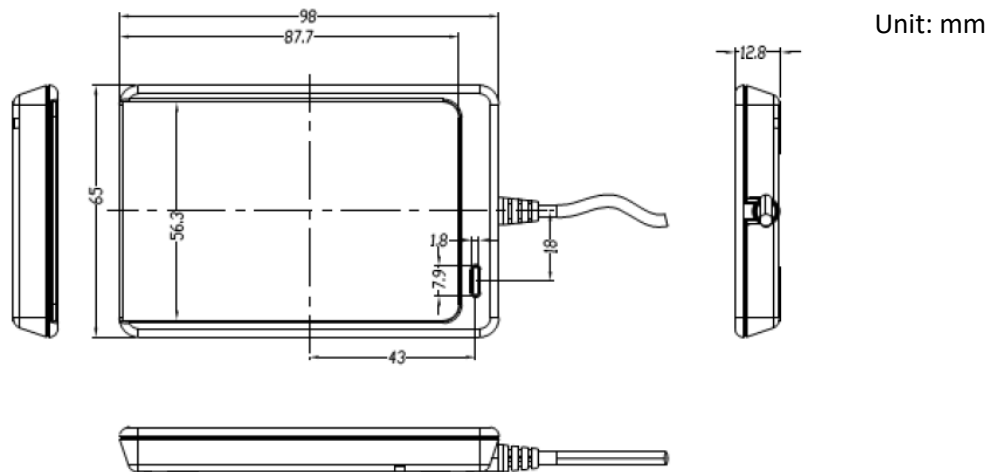


## TECHNICAL SPECIFICATION

| Contactless Smart Card Interface |  |
|----------------------------------|--|
| Supported Card Types             | ISO/IEC 18092 NFC, ISO 14443 Type A & B, MIFARE®, FeliCa |
| Operating Frequency              | 13.56 MHz  |
| Reading Distance                 | Up to 50 mm (Depending on tag type)                      |
| Read/Write Speed                 | 106/212/424 kbps (Programmable)                          |
| Anti-Collision                   | Yes  |
| Supported NFC Mode               | NFC Reader/Writer, Peer-to-Peer, Card Emulation          |
| Host Interface                   |  |
| Protocol                         | USB CCID   |
| Connector Type                   | USB Type-A   |
| Speed                            | USB 2.0 Full Speed (12Mbps)                              |
| Supply Voltage                   | 5VDC   |
| Current Consumption              | Max. 200mA   |
| USB Firmware Upgrade             | Supported  |
| Physical Characteristics         |  |
| Dimension (L x W x H)            | Main Body: 98 x 65 x 12.8 mm<br>Antenna size: 50 x 40 mm |
| Weight (±5 g)                    | 81 g (USB Type-A)  |
| Available Colour                 | Matte Black  |
| USB Cable Length                 | 1 m (Non-detachable)                                     |

| Peripherals                  |   |
|------------------------------|---|
| Buzzer                       | 1 x Programmable Buzzer (Mono-tone)   |
| LED                          | 1 x Programmable LED (Red & Green)  |
| Operating Condition          |   |
| Temperature                  | 0 - 60°C  |
| Humidity                     | 90% (Non-condensing)  |
| MTBF                         | 500,000 Hours   |
| Certifications & Compliances |   |
| Certifications               | Apple VAS, Google Smart Tap, NFC Forum Certification Mark, IEC/EN 62368, CE, UKCA, FCC, J-LIS, VCCI, TELEC, KC, BIS, RoHS, REACH, WEEE, Microsoft® WHQL |
| Compliances                  | USB CCID, PC/SC   |
| Libraries & Tools            |   |
| Libraries                    | Apple VAS API, Google Smart Tap API, CT-API   |
| Tools                        | ACS VAS Test Tools with API (Windows, Linux),<br><i>(More support will come for other operating systems)</i><br>Software Development Kit (USD 199)      |
| Drivers & Support            |   |
| Driver Supported OS          | Windows®, Linux®, macOS, Android™   |
| Warranty                     | 1 Year  |
| Model/Part Number            |   |
| Default                      | ACR1252U-MW (USB Type-A)  |

## MECHANICAL SPECIFICATION



### About ACS

Advanced Card Systems Ltd. (ACS), founded in 1995, is Asia Pacific's top supplier and one of the world's top 3 suppliers of PC-linked smart card readers. ACS is the winner of the Product Quality Leadership Award for Smart Card Readers from Frost & Sullivan. In 2010, 2014 and 2015, ACS was listed in Forbes Asia's "Best Under a Billion" list, an inter-industry list comprised of 200 top-performing publicly listed companies in the Asia-Pacific, with sales between US\$5 million and US\$1 billion. ACS develops a wide range of high-quality smart card reading/writing devices, smart cards and related products and distributes them to over 100 countries worldwide.

Click [here](#) for Sales Enquiry

Tel: +852-2796-7873

Fax: +852-2796-1286

macOS is registered trademarks of Apple Inc., registered in the U.S. and other countries.

Windows® is a trademark of Microsoft Corporation in the United States and/or other countries.

Android™ is trademarks of Google LLC.

Linux® is the registered trademark of Linus Torvalds in the U.S. and other countries.

